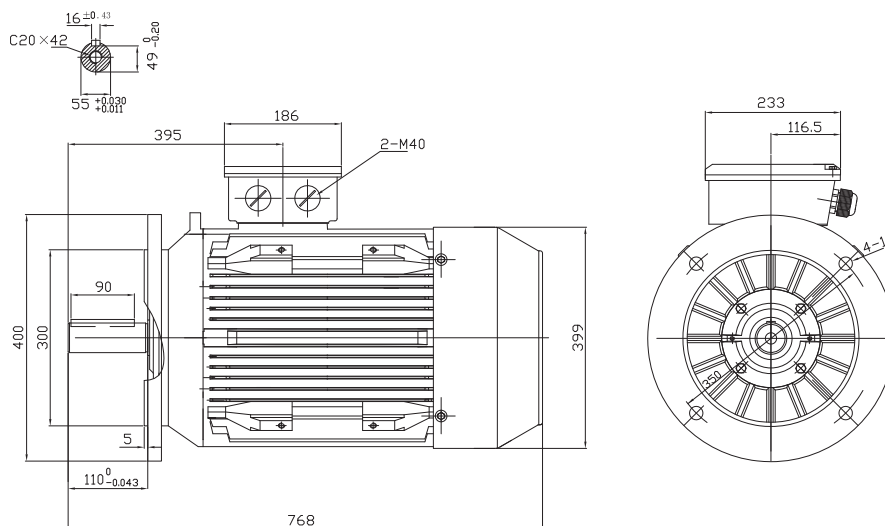


Type T3C 200L1-2

Cod. R200L230,05F6C0000T

Mounting position

IM	B5
IM	3001



Electrical data			
Rated motor power	30		Kw
Rated motor speed	-		min ⁻¹ 50Hz
	3535		min ⁻¹ 60Hz
Rated motor frequency	60		Hz
Rated motor voltage(+/-10%)	-		VΔ/50Hz
	-		VY/50Hz
	440		VΔ/60Hz
	760		VY/60Hz
Rated motor torque	81.08		Nm (Mn)
Rated motor current	47.46	VΔ/60Hz	A (In)
	27.43	VY/60Hz	A (In)
Starting motor current	8.5		xIn
Starting motor torque	2.5		xMn
Breakdown motor torque	2.5		xMn
Starting			D.O.L.
Efficiency class	IE3		
Efficiency	50Hz	60Hz	
	-	92.4	100% load
	-	93.1	75% load
	-	91.7	50% load
Power factor cosφ	-	0.89	100% load

General data		
Frame size	200	
Mounting	B5	
Weight	239	Kg
Casing material	Cast iron	
Protection	IP	55
Insulation class/Temperature rise	F	
Tropicalization	Yes	
Vibration class	A	
Duty	S1	
Direction of rotation	Bidirectional	
Method of cooling	IC	411
Cable entry	2-M40x1,5+1M16x1,5	
Standards	IEC/DIN/ISO/VDE/EN	
Execute at Standard	IEC 60034-1	
Feet removable	Yes	
Paintwork	7024	C2 standard
Thermal protections	PTC 150°C	

Site conditions	
Ambient temperature	from -20°C to +40°C
Altitude above sea level	1000 m

Mechanical data						
Noise level	LpA	75	dB(A)	Bearing DE side	6312ZZ-C3	
	LwA	84	dB(A)	Bearing NDE side	6312ZZ-C3	
Moment of inertia	0.17351		Kgm ²	Average bearing lifetime	40000 h	
Bearings type			NSK	Relubrication interval L1 DE bearing	8000 h	
Lubricants for bearings	See installation and maintenance manual			Relubrication interval L1 NDE bearing	8000 h	
				Compensation ring		NDE SIDE standard